

Model	power consumption	Dimensions		
		A	B	C
Incanto ST 1000 front	220V - 480 W	1200	1090	420
Incanto ST 1500 front	220V - 720 W	1700	1615	630
Incanto ST 2000 front	220V - 960 W	2200	2115	840
Incanto ST 2500 front	220V - 1200 W	2700	2615	1050

Part Number: Incanto ST collection

DESCRIPTION: Metaalstraat 3a/3c
7483 PD Haaksbergen
0031 (0)53-5742554
0031 (0)53-5743453

REVISION:

MATERIAL:

POS.NR:

Quantity:

Weight:

Drawned: P. van den Berg

Am. Proj.

Scale: 1:10

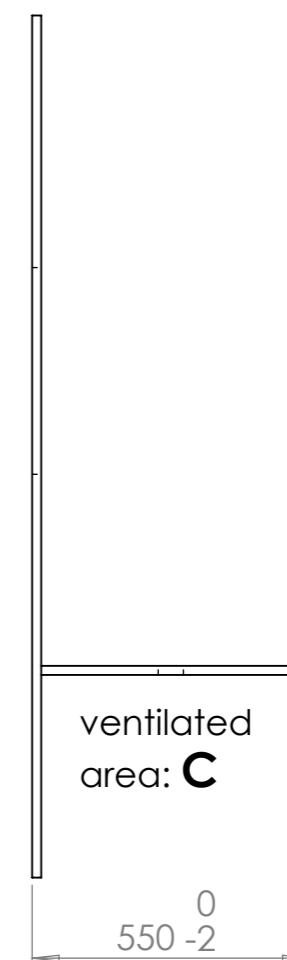
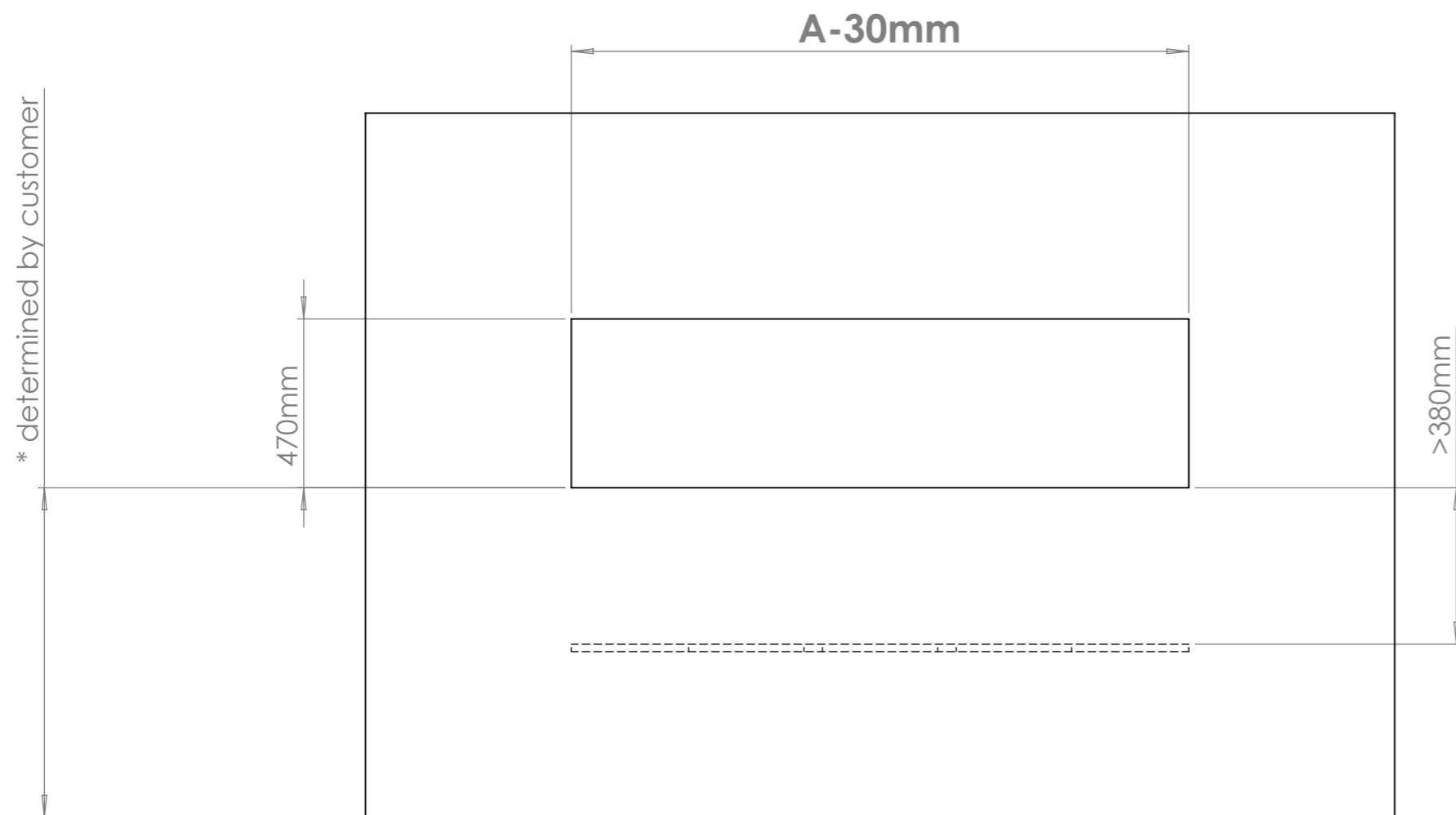
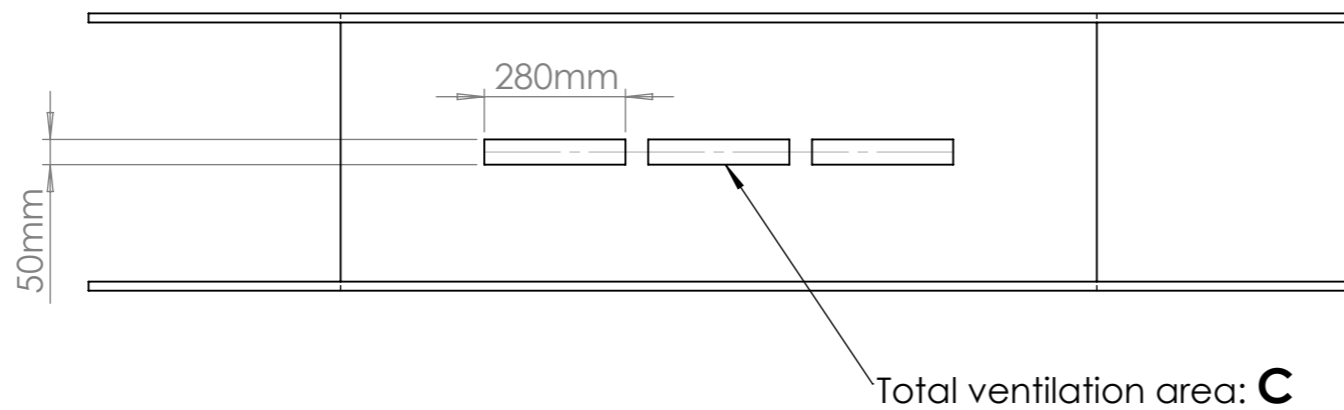
Date: 26-10-2017

file-name.: Incanto ST collection

Size: A3

General tol. ± 0,5mm
General angle tol. ± 0,5°
General flatness tol. 2mm per meter
unless otherwise specified

safretti®



Ventilation area can be calculated by length (cm) x height (cm) of each individual cutout

Model	power consumption	Dimensions		
		A	B	C
Incanto 1000 front	220V - 480 W	1200	1090	420
Incanto 1500 front	220V - 720 W	1700	1615	630
Incanto 2000 front	220V - 960 W	2200	2115	840
Incanto 2500 front	220V - 1200 W	2700	2615	1050

Part Number:		DESCRIPTION:		Metaalstraat 3a/3c 7483 PD Haaksbergen 0031 (0)53-5742554 0031 (0)53-5743453		safretti®	
Incanto ST collection				REVISION:		POS.NR:	
General tol. ± 0,5mm General angle tol. ± 0,5° General flatness tol. 2mm per meter				MATERIAL:		Quantity:	
unless otherwise specified							
Weight:	Drawned: P. van den Berg	Am. Proj.	Scale: 1:20	Date: 26-10-2017	file-name.: Incanto ST collection	Size: A3	